

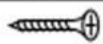
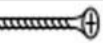


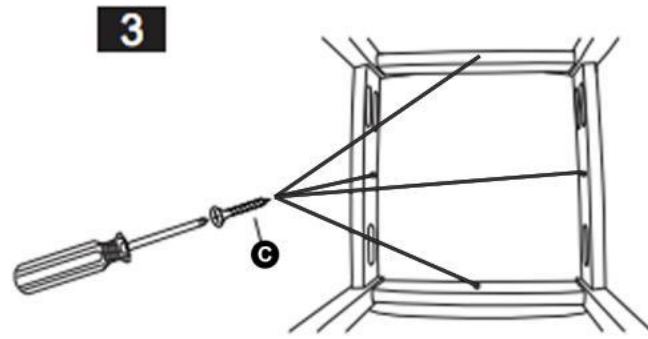
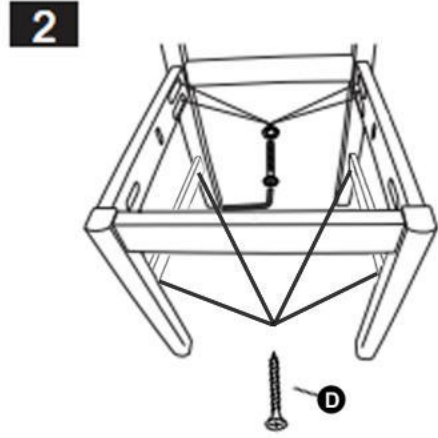
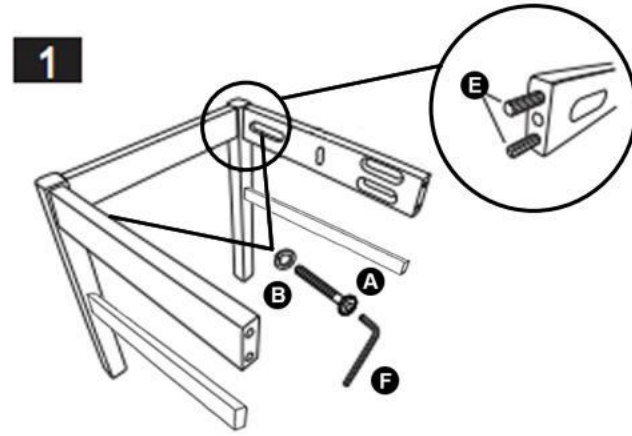




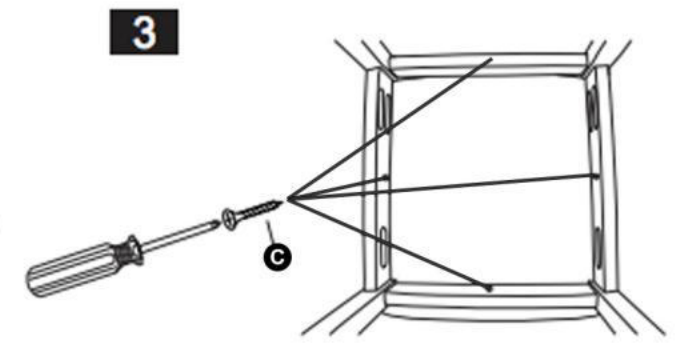
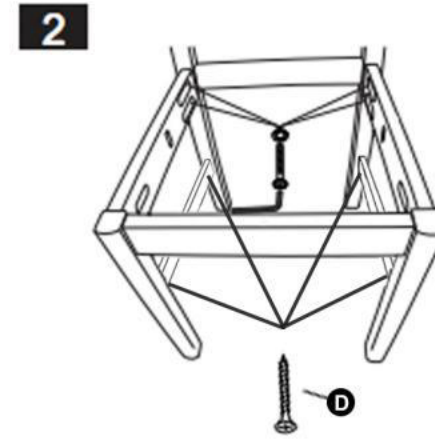
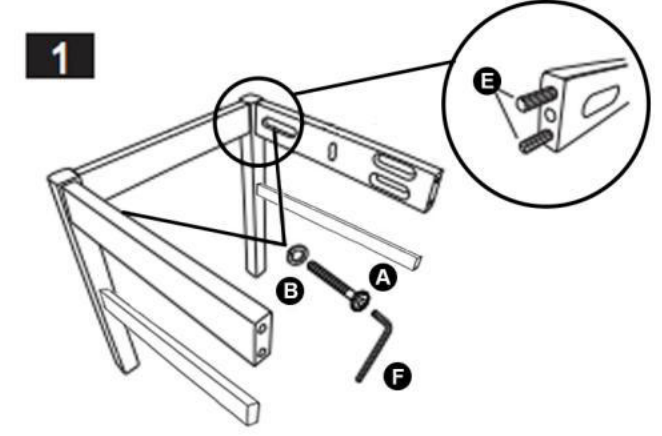
Hardware List for 2 chairs

NO	DESCRIPTION	QTY
A	JCBC M6 x 50mm 	12 pcs
B	Washer 	12 pcs
C	CSK M4 x 30mm 	12 pcs
D	CSK M4 x 38mm 	8 pcs
E	Wood Dowel 	8 pcs
F	Allen Key 	1 pc



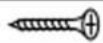
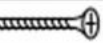




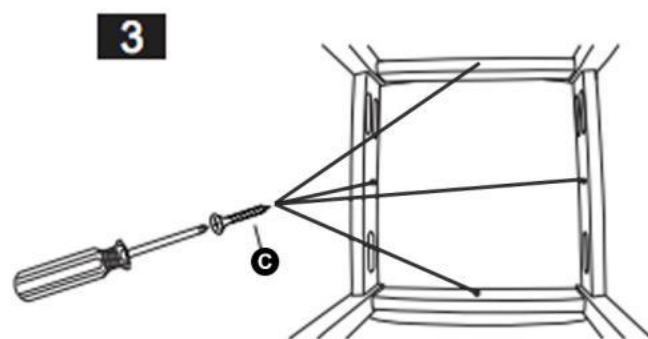
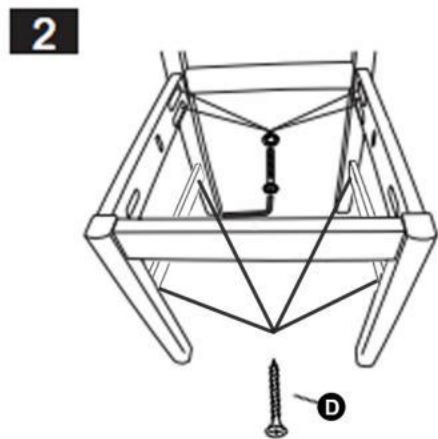
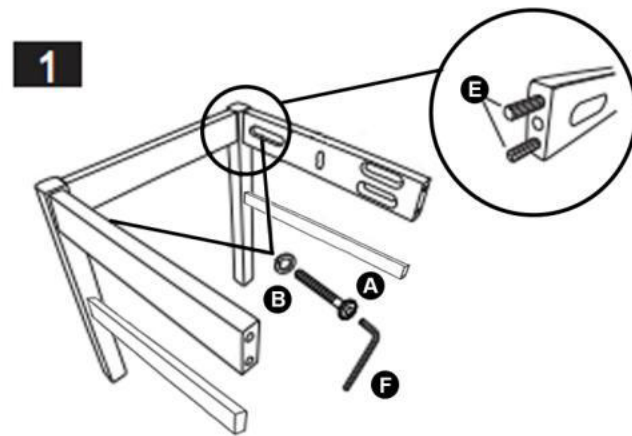
Hardware List for 2 chairs

NO	DESCRIPTION	QTY
A	JCBC M6 x 50mm 	12 pcs
B	Washer 	12 pcs
C	CSK M4 x 30mm 	12 pcs
D	CSK M4 x 38mm 	8 pcs
E	Wood Dowel 	8 pcs
F	Allen Key 	1 pc



Hardware List for 2 chairs

NO	DESCRIPTION	QTY
A	JCBC M6 x 50mm 	12 pcs
B	Washer 	12 pcs
C	CSK M4 x 30mm 	12 pcs
D	CSK M4 x 38mm 	8 pcs
E	Wood Dowel 	8 pcs
F	Allen Key 	1 pc



Hardware List for 2 chairs

NO	DESCRIPTION	QTY
A	JCBC M6 x 50mm 	12 pcs
B	Washer 	12 pcs
C	CSK M4 x 30mm 	12 pcs
D	CSK M4 x 38mm 	8 pcs
E	Wood Dowel 	8 pcs
F	Allen Key 	1 pc

